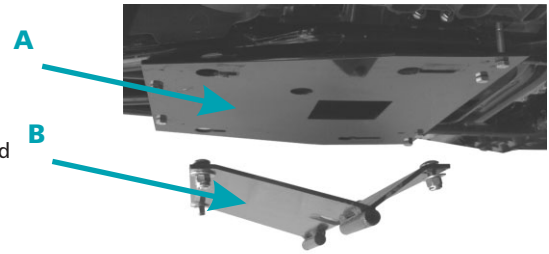


AMERICAN MANUFACTURING

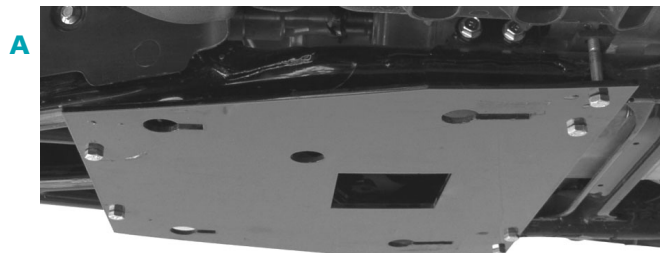
This system is the first and only ATV plow system that uses a Patent Pending two part mount

Quick Mount System: (Patent Pending)

- Mounting Plates and Quick Mount do not use U-bolts. No loss of ground clearance from protruding bolts when plow is removed.
- Quick Mount - No pins to lose or holes to line up.
- 5/8" Mounting Points
- Before trail riding you can simply remove the universal tube frame mount by loosening the four bolts and sliding it off.
- Blade will lift to 8 1/2" for great clearance, even with hand lift.



Installing the Mounting System on a Quad

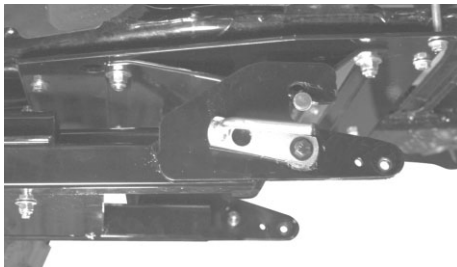


Part A, the mounting plate, for this system has the benefit of no loss of ground clearance or any hanging parts to catch or bend. Also, as an added bonus, the mounting plate also doubles as a heavy-duty skid plate.

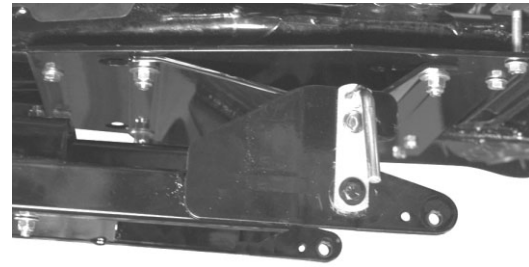


Part B, the Universal tube frame mount, is attached to the mounting plate with four carriage bolts. Easy to install or remove within a few minutes.

Attaching the Plow onto Mounting System



To attach plow to the ATV you simply roll your ATV over the Plow Frame and line up the main mount attaching rod with the slot in the Quick Latch Brackets of the main frame. Then continue to roll the ATV into the slot until the ear seats itself on the main mount rod

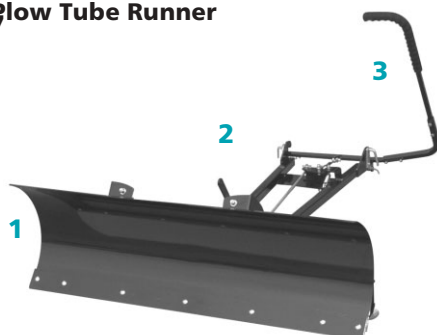


Now swing up The Quick Latch spring loaded latches and your plow is attached. No pins to lose or hole to line up.

Here is what you need to order...

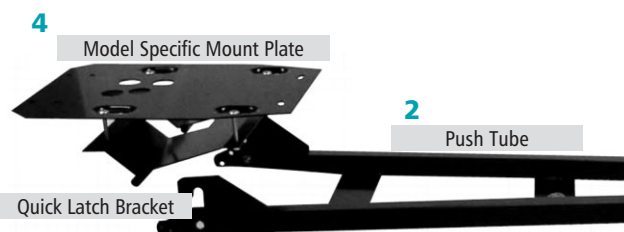
1. Blade

2. Plow Tube Runner
687



3. Lift, use hand lift (see diagram) optional

4. Mount Plate see applications carts Pages 686 to

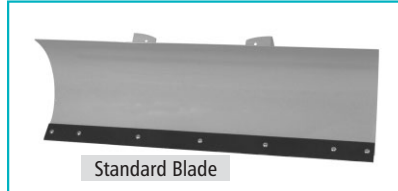


AMERICAN MANUFACTURING QUICK MOUNT SYSTEM

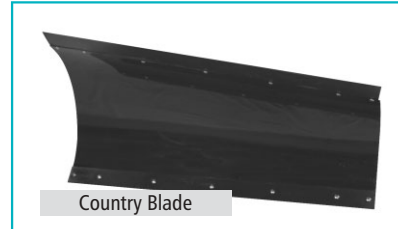
1. Standard and Country Plow Blades:

The American Eagle has a five position adjustable blade angle with up to 26-1/2° of angle. There is also adjustable blade pitch stops for maximum blade adjustment. It also features a solid 5/8" diameter blade positioning pin (largest in the industry). It comes standard with hardened 3/4" thick Ductile steel blade skids and 1/4" thick mounting brackets. The tube frame is constructed of high-tensile 1-1/2" square steel tubing and has 1/4" steel construction at all critical mounting points.

- Blades are 12 gauge high alloy steel blend which is 40% stronger by weight than other blades
- 3" wide and 1/4" thick, 2 sided wear bar
- 3/4" Thick Blade the industry



Skids,



thickest in

V-Plow Blade

The new V-Force Plow is not rolled it is formed adding increased strength. Simple practical design.

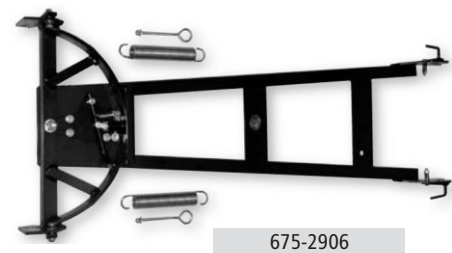
- Built out of 11 gauge steel.
- 4 different height positions to accommodate over size tires.
- Quick lock pins allows consumer to convert from standard straight position to V-position in 30 seconds.
- Standard 6 " rubber center seal snow deflector on top.
- Bottom center wear bar formed to provide closure.
- Black Powder Coat finish.



DESCRIPTION	COLOR	TCI PART #	RETAIL
Standard 50"	Black	675-2910	\$229.95-H
Standard 50"	Yellow	675-2911	\$229.95-H
Standard 60"	Black	675-2920	\$289.95-H
Standard 60"	Yellow	675-2921	\$289.95-H
Standard 66"	Black	675-2927	\$299.95-H
Standard 66"	Yellow	675-2928	\$299.95-H
Standard 72"	Black	675-2922	\$369.95-H
Country 50"	Black	675-2915	\$289.95-H
Country 50"	Yellow	675-2916	\$289.95-H
Country 60"	Black	675-2925	\$369.95-H
Country 60"	Yellow	675-2926	\$369.95-H

2. Plow Tube Runners

- 12 gauge tubing
- 1/4" mounting brackets
- Two cross members
- V-shaped to prevent blade sway



DESCRIPTION	TCI PART #	RETAIL
Fits All ATV Standard Rear Mount	675-2906	\$274.95-H
Fits All UTV Standard Front Mount	675-2805	\$349.95-H
Fits All Generation II Mount Systems	675-3906	\$277.95-H



AMERICAN MANUFACTURING QUICK MOUNT SYSTEM

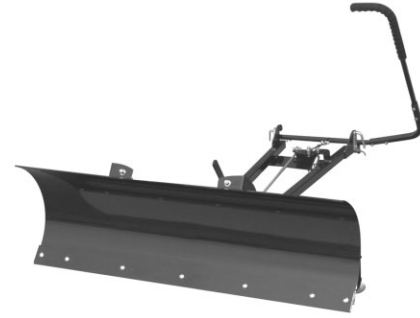
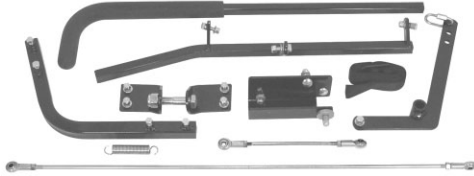
3. Universal Manual Hand Lift: (Patent Pending)

675-2900

\$179.95-H

The Universal Manual Lift allows the blade to be quickly raised or lowered with the easiest operating effort in the industry. Fully adjustable lift handle can be positioned to fit any machine offering maximum operator comfort.

The Universal Manual Lift System is mounted to the plow when removed so that there is nothing to get in the way while enjoying your ATV



American Manufacturing Mounting Systems

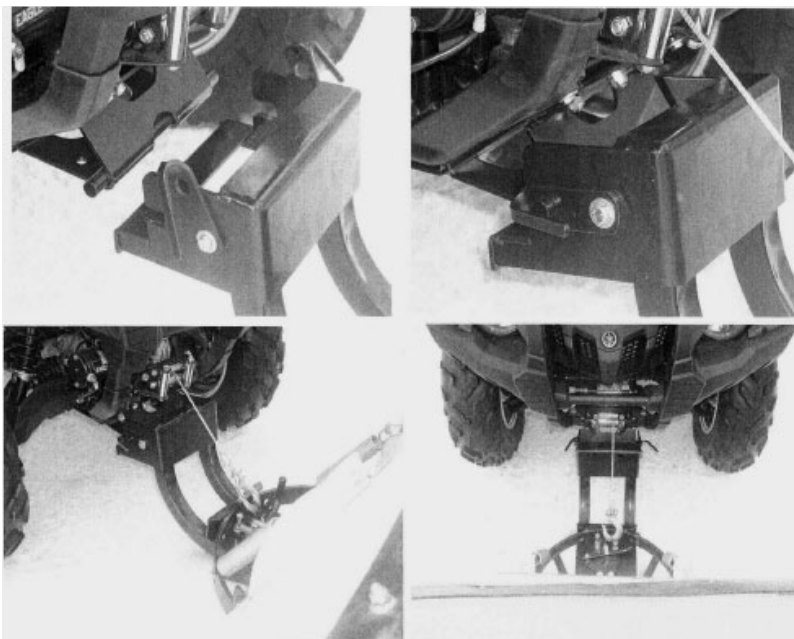
Generation II Quick Mount System

The new front plow mount system hooks up and disconnects in seconds, making it one of the easiest plow mount hook-ups around. Simply lift your push tubes up and roll your ATV into the mount and swing the quick latches in place. Hook your winch cable to the push tubes and you are ready to go.

- One piece front mount that easily bolts on.
- Made from heavy duty 7 gauge steel.
- Hook up points are 5/8" round rod and use the same proven quick latch system as the American Manufacturing Standard Quick Mount System (below).
- Push tubes are built out of 1 1/2" square 11 gauge tubing (the heaviest in the industry).
- The mount part is made of 1/4" steel.

Generation II Quick Mount Plate uses Plow Tube Runner 675-3906

Make/Model	Year	Part #	Retail-H	Make/Model	Year	Part #	Retail-H
Honda Rincon 650/680	03-09	675-3905	\$ 97.95	Suzuki 450 King Quad	07-09	675-3930	\$ 97.95
Honda Foreman 500	07-09	675-3925	\$ 97.95	Suzuki Vinson 500	02-07	675-3910	\$ 97.95
Honda Rubicon 500	07-09	675-3925	\$ 97.95	Suzuki 750 King Quad	08-09	675-3930	\$ 97.95
Kawasaki 750 Brute Force	08-09	675-3931	\$ 97.95	Yamaha 550 Grizzly	2009	675-3915	\$ 97.95
Polaris Sportsman V-Twin	05-09	675-3930	\$ 97.95	Yamaha 660 Grizzly	02-08	675-3914	\$ 97.95
Polaris 550/850 XP	2009	675-3940	\$ 97.95	Yamaha 700 Grizzly	07-09	675-3915	\$ 97.95



AMERICAN MANUFACTURING QUICK MOUNT SYSTEM

Standard Quick Mount Plate

American Manufacturing's ATV Plow Attaching System is the first and only ATV/UTV plow that uses a two part mount. The model specific Mounting plate mounts to the push tube with a quick latch bracket system that requires no lining up of pins. Just roll machine on and lock down!

- Flat plate stays on wheeler during the summer acting as a skid plate
- No loss in ground clearance
- Grade 5 carriage bolts
- Made of 11 gauge steel
- Latch bracket has no pins to line up



UTV Standard Front Mount Model

Applications: (use Plow Tube Runner 675-2805)

Make/Model	Year	Part #	Retail-H
Arctic Cat Prowler 650 H1	06-07	675-2860	\$159.95
Arctic Cat Prowler 700	2008	675-2860	\$159.95
Kawasaki Mule 3000	Thru 05	675-2820	\$159.95
Kawasaki Mule 610	05-08	675-2840	\$159.95
Polaris Ranger	04-08	675-2850	\$159.95

Make/Model	Year	Part #	Retail-H
Suzuki Q.U.V.	2005	675-2820	\$159.95
Yamaha Rhino 450	05-08	675-2835	\$159.95
Yamaha Rhino 660	04-07	675-2835	\$159.95
Yamaha Rhino 700	07-08	675-2835	\$159.95

ATV Standard Rear Mount Model Applications: (use Plow Tube Runner 675-2906)

Arctic Cat ATV			
250/300	98-05	675-2010	\$ 99.95-H
366 4x4	2008	675-2012	\$109.95-H
375	02-04	675-2010	\$ 99.95-H
400i/400 ACT	02-04	675-2010	\$ 99.95-H
400/454 4x4	96-01	675-2010	\$ 99.95-H
500	96-01	675-2010	\$ 99.95-H
500i	2002	675-2010	\$ 99.95-H
500 Auto	00-01	675-2020	\$ 99.95-H
400/500	05-08	675-2010	\$ 99.95-H
650	06-07	675-2010	\$ 99.95-H
700	06-08	675-2010	\$ 99.95-H
Bombardier/Can-Am ATV			
Trax	99-05	675-2105	\$ 99.95-H
Quest	02-05	675-2105	\$ 99.95-H
SP Outlander 330/400	03-05	675-2110	\$ 99.95-H
Outlander (all models)	06-08	675-2111	\$ 99.95-H
Renegade 800	07-08	675-2111	\$ 99.95-H
Honda ATV			
TRX 300	93-00	675-2215	\$ 99.95-H
Rancher 420 FM/ES	2007	675-2230	\$ 99.95-H
Rancher 350/400	00-06	675-2210	\$ 99.95-H
Foreman 400/450	95-04	675-2210	\$ 99.95-H
Foreman 500	05-06	675-2225	\$ 99.95-H
Foreman 500 S/ES/FPE	07-08	675-2225	\$ 99.95-H
Rubicon 500	01-08	675-2205	\$ 99.95-H
Recon	97-06	675-2220	\$ 99.95-H
Rincon 650 /680	03-07	675-2205	\$ 99.95-H

John Deere ATV			
Buck/Ext	04-05	675-2105	\$ 99.95-H
Trail Buck	04-05	675-2105	\$ 99.95-H
Kawasaki ATV			
250 Bayou	2005	675-2335	\$ 99.95-H
300 Bayou	89-03	675-2320	\$ 99.95-H
300 Prairie	99-02	675-2325	\$ 99.95-H
360 Prairie	02-08	675-2315	\$ 99.95-H
400 Prairie	97-02	675-2325	\$ 99.95-H
650 Prairie	02-04	675-2315	\$ 99.95-H
650 Brute Force	05-08	675-2315	\$ 99.95-H
650i Brute Force	05-06	675-2330	\$ 99.95-H
700 Prairie	04-06	675-2315	\$ 99.95-H
750 Brute Force	05-08	675-2330	\$ 99.95-H
Suzuki ATV			
Eiger	02-07	675-2520	\$ 99.95-H
LTF 250 F	99-02	675-2525	\$ 99.95-H
LTF 300 King Quad	99-02	675-2525	\$ 99.95-H
King Quad 400AS	2008	675-2520	\$ 99.95-H
King Quad 450	07-08	675-2530	\$ 99.95-H
LTF 500	98-99	675-2520	\$ 99.95-H
King Quad 700	05-07	675-2530	\$ 99.95-H
Twin Peaks 700	04-06	675-2315	\$ 99.95-H
King Quad 750AXi	2008	675-2530	\$ 99.95-H
Vinson	02-06	675-2520	\$ 99.95-H
Vinson	2007	675-2010	\$ 99.95-H

Polaris and Yamaha applications on next page



AMERICAN MANUFACTURING QUICK MOUNT SYSTEM

Polaris ATV			
ATP 330/500	04-05	675-2410	\$ 99.95-H
325 Magnum	00-02	675-2410	\$ 99.95-H
330 Magnum	03-06	675-2410	\$ 99.95-H
400 Sportsman	98-07	675-2405	\$ 99.95-H
450 Sportsman	05-06	675-2405	\$ 99.95-H
500 Scrambler 4x4	2008	675-2412	\$109.95-H
500 Sportsman	96-97	675-2410	\$ 99.95-H
500 Sportsman	98-08	675-2405	\$ 99.95-H
500 Sportsman Touring	2008	675-2410	\$ 99.95-H
600/700 Sportsman	02-07	675-2410	\$ 99.95-H
700 X2	2008	675-2412	\$109.95-H
800 Sportsman	05-07	675-2410	\$ 99.95-H
800 Sportsman Touring	2008	675-2410	\$ 99.95-H
800 X2	2007	675-2412	\$ 99.95-H
Explorer	96-01	675-2410	\$ 99.95-H
Ranger 4x4	02-04	675-2415	\$ 99.95-H

Yamaha ATV			
Bruin 250	05-06	675-2620	\$ 99.95-H
Bruin 350	04-06	675-2615	\$ 99.95-H
Grizzly 350	2007	675-2615	\$ 99.95-H
Wolverine 350	Thru 05	675-2620	\$ 99.95-H
Big Bear/400	97-06	675-2620	\$ 99.95-H
Big Bear 400i	07-08	675-2640	\$ 99.95-H
Kodiak 400	97-99	675-2630	\$ 99.95-H
Kodiak 400	00-06	675-2615	\$ 99.95-H
Kodiak 450	03-07	675-2615	\$ 99.95-H
Grizzly 450	07-08	675-2615	\$ 99.95-H
Grizzly 600	98-01	675-2625	\$ 99.95-H
Grizzly 660	02-08	675-2615	\$ 99.95-H
Grizzly 700	07-08	675-2615	\$ 99.95-H
Wolverine 450 4x4	2006	675-2615	\$ 99.95-H

PLOWING ACCESSORIES

Pair of Plow Markers 675-2950 \$ 26.95-H

Provides increased visibility while plowing snow



675-2950

Remote Blade Position Kit 675-2938 \$108.95-H

Designed to reposition the blade while remaining on your machine. Simply pull the spring loaded lever, mounted on your handlebar.



675-2987

Plow Side Shield 675-2940 \$ 67.95-H

Hydraulic Plow Turn 675-2902 \$599.95-H

For Eagle & Moose

REPLACEMENT PLOW PARTS

Skid, Bracket & Hardware Kit 675-2987 \$ 37.95-H

Skid Only 675-2985 \$ 29.95-H

Skid Replacement Hardware Only 675-2986 \$ 14.95-H

Skid Bracket Only 675-2988 \$ 29.95-H

Spring & Eye Bolt Kit 675-2990 \$ 29.95-H

50" Wear Bar 675-2970 \$ 29.95-H

60" Wear Bar 675-2975 \$ 38.95-H

50" Rubber Flap 675-2945 \$ 39.95-H

60" Rubber Flap 675-2946 \$ 39.95-H



675-2990



675-2970 or 2975 Wear Bar



675-2986

CMP WINCH MOUNTS

- Designed to fit each model ATV.
- Includes Roller Fairlead.
- Hardware and instructions included with each unit.
- Powder coated for durable finish.



ONLY \$99.95-H!

MODEL	WINCH MNT
Arctic Cat	
250 Bear Cat 4x4 2001	672-1595
300 Bear Cat 4x4 98-01	672-1595
400 Bear Cat 4x4 98-01	672-1595
454 Bear Cat 4x4 96-01	672-1595
500 Bear Cat, Auto 4x4 98-01	672-1595
Bombardier	
Traxter 500 4x4 99-01	672-1520
Honda	
TRX 300 2x4/4x4 90-92	672-1588
TRX 400 4x4 95-03	672-1558
TRX 450 S/ES 98-04	672-1558
TRX 500 Rubicon 00-04	672-1559
Kawasaki	
KLF 300 Bayou 88-95	672-1575
KVF 400 Prairie 4x4 97-98	672-1577
KLF300 4x4 89-01	672-1530
KVF300 Prairie 99-01	672-1571

MODEL	WINCH MNT
Suzuki	
LT 4WD, LTF250 89-97	672-1554
LT4WD/LTF250 98-00	672-1553
LTF 250 99-00	672-1551
LTF 250 01	672-1562
LTF280X King Quad 98-00	672-1553
LTF300 99-00	672-1551
LTF300 01-02	672-1562
LTA 500 Quad Master 00-01	672-1557
LTF 500 Quad Runner 2001	672-1557
LTF 500 Quad Runner 98-00	672-1556
Yamaha	
Big Bear 350 4x4 97-98	672-1568
YFM 350 Big Bear 4x4 97-99	672-1569
YFM 350 Big Bear 94-96	672-1560
YFM 350 Big Bear SE 97	672-1563
YFM 400 Kodiak 93-98	672-1563
YFM 400 Kodiak 99	672-1561
YFM 600 Grizzly 98-01	672-1541

MODEL	WINCH MNT
Polaris	
300 Xplorer 96-99	672-1592
325 Magnum 4x4 00-01	672-1592
335 Sportsman 98-00	672-1592
400L Xplorer 95-01	672-1592
425 Xpedition 4x4 2000	672-1592
500 Xplorer 4x4 97	672-1592
500 Magnum 4x4 99-00	672-1592
500 Sportsman 4x4, 6x6 96-01	672-1592
500 Sportsman RSE DU 00-01	672-1593
Diesel 99-00	672-1592



WARN ATV PLOW SYSTEM REPLACEMENT PARTS

DESCRIPTION	PART#
Blade Mount Pin & Clip	689-35136
Plow AG Adapter	689-62344
Wear Strip 60"	689-62601
Warn Wire Rope Terminal	690-16461
Warn Electrical Boot	690-21841

Warn Plow Electric Actuator

689-39400

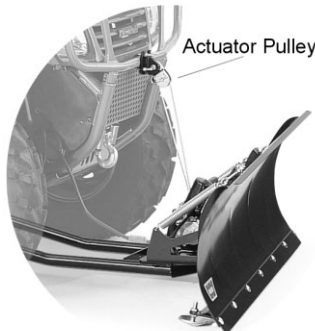
DISCONTINUED

The Warn Actuator is designed with a dual purpose in mind. Make it easier to lift the plow than using a manual lift and leave the winch for what it was designed to do. The Actuator will operate only with the ignition on and comes standard with a thermal limiting switch. The limiting switch eliminates the possibility of damage to the ATV, plow or Actuator.

A handlebar mounted switch can be operated without removing your hand from the grip. This switch is built to survive rain, cold, mud and crud and still perform with OEM switch gear.

The Warn Actuator is an easy to install kit that fits all Warn plows. Each kit includes a handlebar switch, wiring harness and all necessary hardware. Designed to lift and hold up to 150 pounds. Amp draw is 5-7 amps (20 amps peak).

In addition to an actuator, an Actuator Pulley Bracket design to fit your ATV must be ordered from column C in the chart below.



Model	Year	Mtg Plate \$69.95-H	Lift Kit	Retail	Actuator Bracket	Retail
ARCTIC CAT						
Bear Cat 454/4x4	96-98				689-60126	\$19.95-H
500 Auto 4x4	00-01	689-60940			689-60126	\$19.95-H
BOMBARDIER						
Traxter	00-02				689-60126	\$19.95-H
Traxter	99	689-39610			689-60126	\$19.95-H
HONDA						
Rubicon 500 4x4	01-03	689-61611	689-39513	\$169.95-H	689-61604	\$25.95-H
Rancher 350/ES 4x4					689-60107	\$19.95-H
Forman 450 S 4x4	00-03		689-39513	\$169.95-H	689-60107	\$19.95-H
Forman 400 4x4	96-03	689-37851	689-39513	\$169.95-H	689-60107	\$19.95-H
4Trax 300 4x4	93-00		689-39513	\$169.95-H	689-60107	\$19.95-H
KAWASAKI						
Prairie KVF 400C 4x4 2x4	99-03	689-37838	689-37026	\$149.95-H	689-60105	\$19.95-H
Prairie KVF 300A 4x4 2x4	99-03	689-37838	689-37026	\$149.95-H	689-60105	\$19.95-H
Prairie KVF 400 4x4 2x4	97-98	689-37838	689-37026	\$149.95-H		
Prairie KVF V-Twin 4x4	01-03				689-60126	\$19.95-H
Bayou KLF 400 4x4	93-99		689-39705	\$149.95-H		
Bayou KLF 300C 4x4	89-02		689-39705	\$149.95-H		

WARN WINCH MOUNTS

Warn builds a durable, long lasting mounting system for nearly every ATV on the trail. To optimize the performance of your Warn winch, each system is custom designed to fit a specific ATV model. It's not one style fits all. They're laser cut, robot welded and CNC bent for precise fitment. Plus, you get all the necessary hardware for easy installation.



MODEL	YEAR	TCI MOUNT #	RETAIL
Arctic Cat			
Bearcat 4x4, 454	96-99	690-35048	\$69.95-J
Arctic Cat 500 4x4	98-01	690-35048	\$69.95-J
500 AM	00-01	690-35048	\$69.95-J
Bombardier			
Traxter 2x4 4x4 XL	99-03	690-60004	\$69.95-J
Quest 500-4x4 /XL	01-03	690-60004	\$69.95-J
QUEST650 4x4/XL/XT	01-03	690-60004	\$69.95-J
Kawasaki			
TRX 300 2x4	86-87	690-W21552	\$39.95-J
300 2x4	88-92	690-K400	\$39.95-J
300 4x4	89-92	690-K401	\$29.95-J
300 Bayou 4x4	89-02	690-28880	\$69.95-J
300 Prairie 2x4 / 4x4	99-03	690-39308	\$69.95-J
400 Bayou 4x4	93-03	690-29201	\$99.95-J
400 Prairie (a)4x4	99-03	690-39555	\$69.95-J
400 Prairie (a)2x4 / 4x4	97-03	690-36285	\$76.95-J
Polaris			
350L 4x6	89-92	690-P302	\$32.95-J
Boss 250 2x4, 4x4	87-88	690-P300	\$32.95-J
Xpress 300 (a)	93-96	690-32625	\$76.95-J
Xpress 300 (a)	97-02	690-37809	\$67.95-J
Suzuki			
King Quad 300	02-03	690-61472	\$69.95-J
Quadrunner F250F 4x4	02	690-61472	\$69.95-J
King Quad 300 4x4	99-01	690-39425	\$69.95-J
LT500	98-99	690-37812	\$69.95-J
King Quad 300 (a)	99-00	690-39425	\$69.95-J
Quad Master 500 4x4 LT-A/F500F	99-01	690-37812	\$69.95-J
Quad Master 500 4x4 LT-F500F	99-01	690-37812	\$69.95-J
LT230 (Not Quadsport)	All	690-W21532	\$56.95-J
Yamaha			
Big Bear 350 4x4		690-Y200	\$39.95-J
Grizzly 600	98-01	690-36693	\$54.95-J
Kodiak 400 4x4	93-95	690-29203	\$59.95-J
Kodiak 400 4x4	96-98	690-32659	\$59.95-J
Kodiak 400 4x4 AM	99	690-39103	\$69.95-J
Kodiak 400 4x4 AM	00-02	690-60170	\$39.95-J
Timberwolf 250 2x4, 4x4	92-00	690-31004	\$76.95-J
Wolverine	97-03	690-38581	\$69.95-J

* These are net priced items - no further discounts

WARN WINCH ACCESSORIES & PARTS



ATV Remote for A2000/A2500

690-34708

\$169.95-H

Weather resistant remote control with 6' of lead.
Comes in a 2500lb winch kit.

